

ELKAY[®]

SPECIFICATIONS

Colanders Models SC1407 and LC1412 Series

GENERAL

Ideal for straining, draining or collecting scraps. The SC1407 and LC1412 were designed to fit in specific Elkay sink bowls. Colanders manufactured out of polymer material.

MODELS

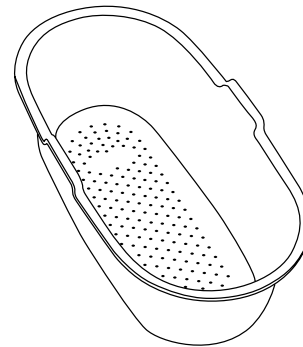
SC1407 – Small colander. Designed to fit bowls with overall dimensions of 7" x 14-1/8". Available in white (W) or almond (A).

LC1412 – Large colander. Designed to fit bowls with overall dimensions of 11-3/4" x 13-1/4". Available in white (W) or almond (A).

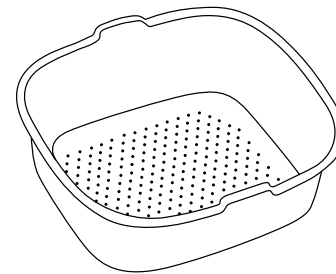
Sink Model Compatibility

Reference the chart below to determine which Elkay sink models the colanders are designed to work with. The sinks listed below are the only models that Elkay recommends the colanders be used with.

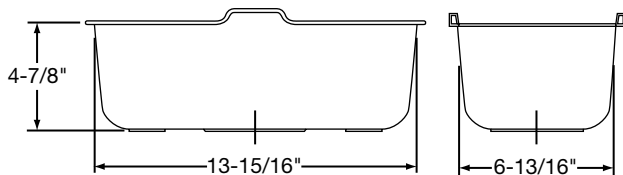
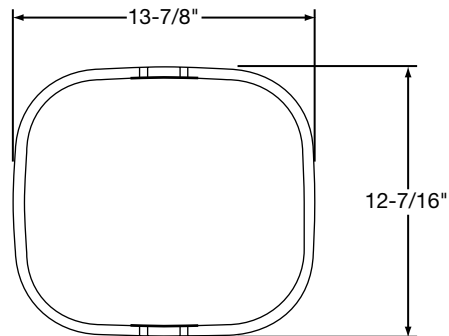
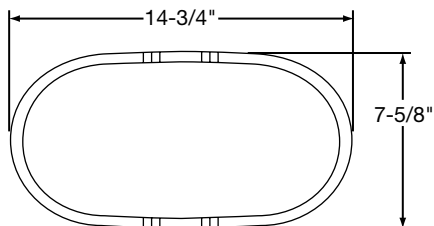
Sink Model	SC1407	LC1412
DLCGR332210L/R	X	
DLCGR382210L/R		X
DLCGR402210	X	
ELUH714	X	
ELUH1113		X
ELUH3221L/R	X	
ELUH322110L/R	X	
ELUH3621L/R		X
ELUH362110L/R		X
ELUH3920	X	
ILCGR4822L/R	X	
ILCGR5322L/R		X
LCGR3322L/R	X	
LCGR3822L/R		X



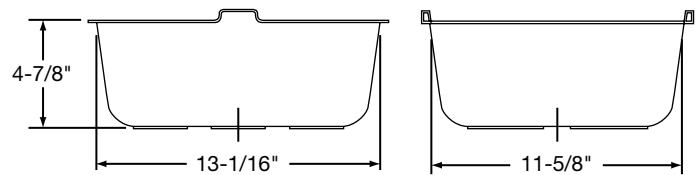
Model SC1407



Model LC1412



Model SC1407 Series Illustrated



Model LC1412 Series Illustrated

ALL DIMENSIONS IN INCHES. TO CONVERT TO MILLIMETERS MULTIPLY BY 25.4.

In keeping with our policy of continuing product improvement, Elkay reserves the right to change product specifications without notice.

This specification describes an Elkay product with design, quality and functional benefits to the user. When making a comparison of other producers' offerings, be certain these features are not overlooked.